



FIVE AND NINE PLUS

THE OFFICIAL NEWSLETTER
OF THE
APPLEDORE AND DISTRICT
AMATEUR RADIO CLUB

Club Callsigns: G2FKO and GX2FKO
Web Site : www.adarc.co.uk

CLUB'S OFFICERS

President	Terry Adams	G4CHD	
Chairman	John Lovell	G3JKL	
Vice Chairman	Steve Smith	G6SQX	
Secretary	Alan Fisher	M6CCH	01237 422833 Email: fisheralan@gmail.com
Treasurer	Mike Wogden	G4KXQ	
Committee	Graham Bailey	G1ZTJ	
	Dave Cottle	G4XWQ	
	Ray Hunter	M0TLO	
	Keith Luxton	G0AYM	
QSL Manager	John Lovell	G3JKL	
Web Master	John Lovell	G3JKL	
Exam Secretary	John Lovell	G3JKL	
Editor	Terry Adams	G4CHD	

March, 2018

EDITORIAL

This month's meeting on **March 19th** is our **Annual General Meeting (AGM)** when you can select your Club's Officers and Committee to guide the Club through the next Club year. As reported in last month's 5&9, **Mike (G4KXQ) our Treasurer and Alan (M6CCH) our Secretary are both stepping down.** The Club is most grateful for all their hard work and support during their time in office. Both however have agreed to stand for election as Committee members if required. These are two key roles which must be filled for the Club to function properly - indeed without either, it is questionable as to whether the Club could continue. **Fortunately, Ray (M0TLO) who is presently on the Committee has offered to stand for election for Treasurer.** Mike has offered to give assistance during the handover period. However this **still leaves a vacancy for a Secretary** and I sincerely hope that there is a member who will be willing to stand for election and rescue the Club from a dilemma. Alan has also offered to provide assistance during the handover period. The AGM is also the occasion when the **Jim McFee Cup** is awarded to the member who in the opinion of your Committee has given tremendous service to the Club. As always there are several members who more than meet this criterion but regrettably only one can be the recipient of the Cup. So come along and see who is the worthy recipient. As you can see from the Club Meetings opposite, the **July Meeting** is in need of a Speaker. So please, contact any



Committee member if you feel you can offer to give a talk. Hopefully by the AGM, the snow and icy winds will be a thing of the past. However, in the unlikely event that there is return to bad weather, your Committee will revue the situation and keep everyone informed. So see you all there!

Terry (G4CHD)

CLUB MEETINGS

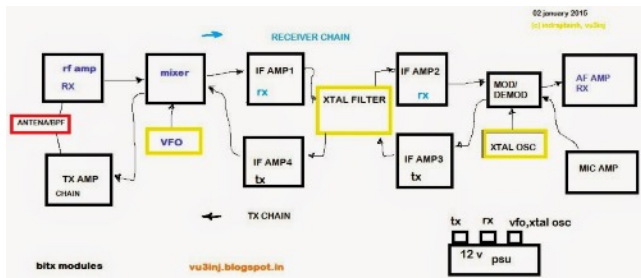
Meetings are held at the Appledore Football Social Club starting at 7.30pm for 8.00pm. Visitors always welcome. For further information, contact the Secretary, Alan (M6CCH) - details in the top panel.

March 19th	Club AGM
April 16th	Clansman Radio by Chris (G0FJY)
May 21st	Spring Bring & Buy
June 18th	Capacitance Loaded Antennas by Terry (G4CHD)
July 16th	TBA
Aug 20th	Summer Natter Night
Sept 17th	Open Meeting - Exmoor Search & Rescue Team by Lionel Murphy
Oct 15th	Talk (topic TBA) by Mike (G4KXQ)
Nov 19th	Autumn Bring & Buy
Dec 10th	Christmas Party (note is 1 week early)
Jan 21st	TBA
Feb 18th	TBA
Mch 18th	Club AGM
Apl 15th	TBA

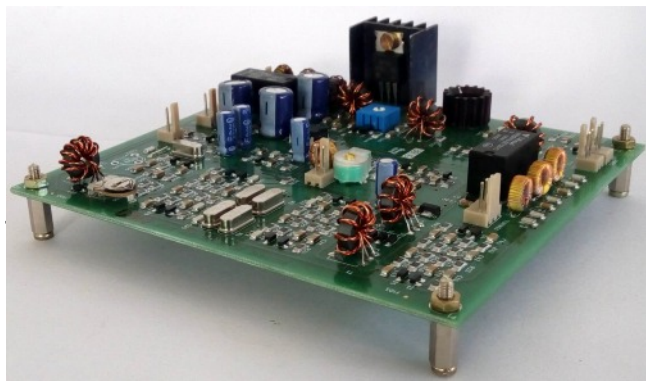
REPORT ON THE FEBRUARY MEETING

BITX40 - Homebrew Made Easy by Mike (G4KXQ)

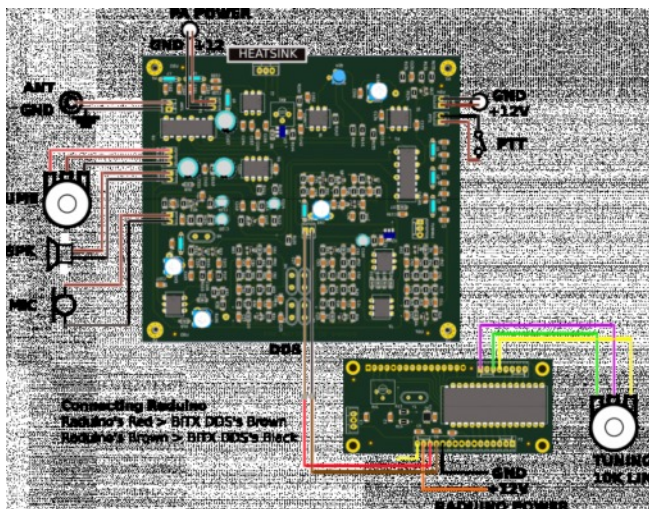
There was a good attendance to hear Mike’s talk and everyone was rewarded with a most entertaining, informative and well researched presentation. Mike began by explaining how Asshar Farhan (VU2ESE) designed the BITX40 on his phone’s calculator whilst on an airline flight. The intention was to design a transceiver that could be made from salvaged TV and radios!



The block diagram above shows the simplicity of the design and its use of bidirectional amplifiers. The result was a 40m 7W Transceiver using a two board design - the Main Transceiver Board as shown below, and a smaller



Raduino (based on the Arduino Nano). Mike did warn users not to use headphones as there is no AGC as supplied. The boards are ready assembled in India and checked before shipment. Avoid Air Mail delivery if possible as this will certainly incur Customs Duty.



Mike then described the new μ BITX which has appeared recently which for \$109 offers a general coverage HF SSB/CW 10W transceiver which works from 3 MHz to 30 MHz and offers digital tuning, dual VFOs, RIT, CW Keyer. The Meeting ended with several interesting questions and members left with a possible next project in mind!



The μ BITX uses upconversion to the first IF of 45 MHz which eliminates the need for a large number of band pass filters. The roofing filter at 45 MHz is 15 KHz wide. The signal is then down-converted to 12 MHz where a low ripple SSB filter with 8 crystals is used.

Our thanks to Mike for providing a most fascinating and informative evening.

Terry (G4CHD)

SUDOKU PUZZLE

The aim is to enter a number into each cell so that **any column, or any row, or any block of cells contains all numbers from 1 to 9**

Terry (G4CHD)

			6	8		4	
4	6	1					
	9	3			6	5	
8					2		6
	3					7	
1	5						8
	1	8		7	3		
			2		5		7
	7	5	6				

CROSSWORD

Many thanks to Stuart (M1FWD) for this month's Crossword.

The answers will be in next month's Newsletter. Good luck !

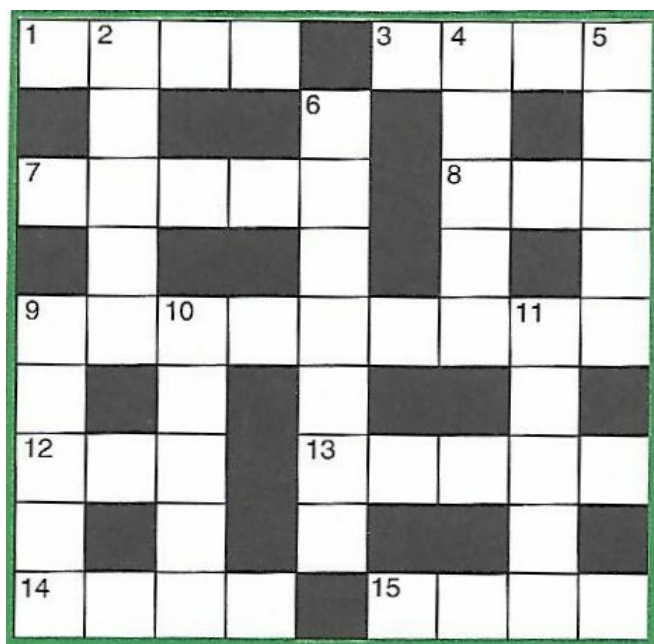


CLUES ACROSS

- 1) An S-shaped line or moulding (4)
- 3) To initialise a computerised system (4)
- 7) Nine November (9N) land (5)
- 8) Towards the stern of a ship (3)
- 9) Native of Hotel Kilo (HK) land (9)
- 12) Not well (3)
- 13) Someone who cares for the well-being of patients (5)
- 14) A subgroup of a larger religious organisation (4)
- 15) A citrus fruit (4)

CLUES DOWN

- 2) El ? (1541-1614), Spanish painter (5)
- 4) Animal also known as the zebra giraffe (5)
- 5) The largest moon of Saturn (5)
- 6) Sir Alexander ? (1881-1935) discovered the world's first antibiotic substance (7)
- 9) These are used to add inductance to a circuit (5)
- 10) Flowering plant, *Syringa vulgaris* (5)
- 11) Tea-growing area of north-eastern Victor Uniform (VU) land (5)



Last month's answers :-

ANSWERS ACROSS: 1) net 3) bank 5) panda 6) ant
8) Ursa 9) atom 11) Ena 13) angle
14) sloth 15) apt

ANSWERS DOWN: 1) Neptune 2) Tunisia 3) beat
4) Ken 6) Antigua 7) tempest
10) hash 12) nil

LOCAL REPEATERS

70cm Handy Cross Repeater/Echolink (#221334) Gateway (GB3ND)

User: Listen 433.35 MHz- Transmit 434.95 MHz
Access 1750 Hz Tone (Timeout 4.25 mins)/ 77 Hz CTCSS
Repeater keeper is Jeff (G4SOF)

2m Stibb Cross Repeater (GB3DN)

<http://www.g0rql.co.uk/gb3dn.htm>

User: Listen 145.6375 MHz - Transmit 145.0375 MHz.
Access 1750 Hz Tone or 77 Hz CTCSS
Repeater keeper is Tony (G1BHM)

70cm Twitchen (nr South Molton) Analogue Repeater (GB3SF)

User: Listen 430.9375 MHz - Transmit 438.5375 MHz
Access 77Hz CTCSS
Repeater keeper is Steve (G6SQX)

APRS Digipeater (MB7VE)

Frequency 144.800 MHz
Repeater keeper is Steve (G6SQX)

LOCAL SKEDS

Zepp Net: Mon, Tues, Thurs : 145.450 MHz
4pm
Wed via GB3DN - 4pm

2m Net: Mon/Tues/Wed : 145.450MHz
10.45 - 12.00 noon

6m Net: Wednesday, 8pm, 51.480 MHz FM

HF Net: Friday at 3pm 7.134 MHz ± qrm
If conditions poor - 145.450 MHz

70cm Net: Sunday, via GB3ND, 11am - noon
local time.
Available on Echolink node 221334

Top Band Net: Sunday 1.860 MHz
(LSB - 32W pep max) 9.30 - 10.15am
Contact Dave (G4XWQ) for details

A MESSAGE FROM OUR ITALIAN FRIEND

Good morning!

As I am an Italian foreign associate member of your Appledore & DARC (G2FKO), I give you all the best for the Annual General Meeting in March 2018, if possible, but I can to advise "pleasure" with your Club and so I wish for your possible change.

Many congratulations.

Best regards from Italy. Ciao!

Cordially Yours,
Giorgio (George)
SWL IV3-57306

That's it for this month - enjoy the read

Terry (G4CHD)