



FIVE AND NINE PLUS

THE OFFICIAL NEWSLETTER
OF THE
APPLEDORE AND DISTRICT
AMATEUR RADIO CLUB

Club Callsigns: G2FKO and GX2FKO
Web Site : www.adarc.co.uk

CLUB'S OFFICERS

| | | | | | |
|------------------|-------------|--------|----------------|---------------|----------------------|
| President | Terry Adams | G4CHD | Committee | Dave Cottle | G4XWQ |
| Chairman | John Lovell | G3JKL | | Mike Wogden | G4KXQ |
| Vice Chairman | Steve Smith | G6SQX | | Alan Fisher | 2E0EUZ |
| Acting Secretary | Alan Fisher | 2E0EUZ | | Graham Bailey | G1ZTJ |
| Treasurer | Ray Hunter | M0TLO | | Keith Luxton | G0AYM |
| | | | QSL Manager | John Lovell | G3JKL |
| | | | Web Master | John Lovell | G3JKL |
| | | | Exam Secretary | John Lovell | G3JKL |
| | | | Editor | Terry Adams | G4CHD |
| | | | | | terrywho35@gmail.com |

January 2019

EDITORIAL

This month's Meeting on **January 21st** was to be a talk by Alan (2E0EUZ) on Internet Radio but **due to family commitments Alan has had to postpone his talk to later in the year.**



The Committee have therefore decided that with insufficient time for anyone to prepare a talk, **this month's meeting will be a general Natter Night.**

With a new year upon us, this will give members a chance to discuss their New Year Resolutions and any goodies Santa may have brought over a cuppa and a biscuit!

For myself I would like to strive to get more technical articles into our 5&9 Newsletter and to that end would therefore welcome all contributions from members.

A Happy Healthy New Year to everyone

Terry (G4CHD)

CLUB MEETINGS

Meetings are held at the Appledore Football Social Club starting at 7.30pm for 8.00pm. Visitors are always welcome.

| | |
|----------------------|--|
| Jan 21 st | Internet Radio by Alan (2E0EUZ) - POSTPONED |
| Feb 18 th | EMC in Amateur Radio by Chris (G0FJY) |
| Mch 18 th | Club AGM |
| Apl 15 th | TBA |

For further information, contact the acting Secretary, Alan (2E0EUZ) - see above for contact details.

LOCAL SKEDS

Zepp Net: Mon/Tues/Thurs : 145.450MHz - 4pm
Wed via GB3DN - 4pm

2m Net: Mon/Tues/Wed : 145.450MHz
10.45 - 12.00 noon

Friday Night 2m Net: Friday : 145.450 FM, 8 - 9pm (NEW)

6m/2m Net: Has now moved to 145.475MHz
Wednesday, 8 - 9pm until conditions improve on 6m

HF Net: Friday at 3pm 7.134 MHz ± qrm
If conditions poor - 145.450 MHz

70cm Net: Sunday, via GB3ND, 11am - noon
Available on Echolink node 221334

Top Band Net: Sunday 1.860 MHz
(LSB - 32W pep max) 9.30 - 10.15am
Contact Dave (G4XWQ) for details

REPORT ON THE DECEMBER MEETING

Club Christmas Party

Many thanks to the Committee for all their hard work in giving us a great Christmas Party and also a big thank you to the many members who brought Raffle Prizes. It was lovely to see family and friends on the night and also some of the Club's newer members who I hope felt a warm welcome.

The format was as in previous years and included a Quiz produced by Dave (G0PGK), a Raffle and plenty of food. However it was also a wonderful opportunity to have a good natter and get into the festive spirit.

Terry (G4CHD)

LOCAL REPEATERS

70cm Handy Cross Repeater/Echolink (#221334)

Gateway (GB3ND)

User: Listen 433.35 MHz– Transmit 434.95 MHz
Access 1750 Hz Tone (Timeout 4.25 mins)/ 77 Hz CTCSS
Repeater keeper is Jeff (G4SOF)

2m Stibb Cross Repeater (GB3DN)

<http://www.g0rql.co.uk/gb3dn.htm>

User: Listen 145.6375 MHz - Transmit 145.0375 MHz.
Access 1750 Hz Tone or 77 Hz CTCSS
Repeater keeper is Tony (G1BHM)

70cm Twitchen (nr South Molton) Analogue Repeater (GB3SF)

User: Listen 430.9375 MHz - Transmit 438.5375 MHz
Access 77Hz CTCSS
Repeater keeper is Steve (G6SQX)

APRS Digipeater (MB7VE)

Frequency 144.800 MHz
Repeater keeper is Steve (G6SQX)

CROSSWORD

Many thanks to Stuart (M1FWD) for this month's Crossword. The answers are in next month's Newsletter. Good luck !



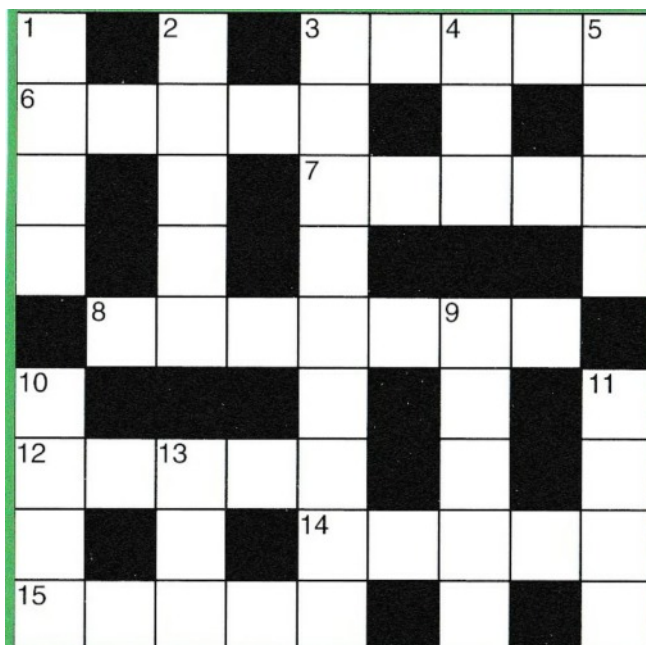
CLUES ACROSS

- 3) A set of radiating aerofoils round a hub on a helicopter (5)
- 6) Group of islands in Polynesia, capital Apia (5)
- 7) A piece of information (5)
- 8) Fruits of the plant Musa sapientum (7)
- 12) Island in the Bay of Naples (5)
- 14) Egg-shaped (5)
- 15) Evil spirit (5)

CLUES DOWN

- 1) The largest continent (4)
- 2) The last letter of the Sierra Victor (SV) alphabet (5)
- 3) The emission of energy as electromagnetic waves (9)
- 4) A dram of liquor (3)

- 5) Italian capital (4)
- 9) An established or widely accepted principle (5)
- 10) Slang term for the drug LSD (4)
- 11) In computing, a piece of program text (4)
- 13) Victor Kilo (VK) slang term for British immigrants (3)



Last month's answers :-

ANSWERS ACROSS: 1) gizmo 4) Avo 5) mailshot
7) ibex 8) giro 11) melodeon
13) kit 14) inter

ANSWERS DOWN: 1) Gambia 2) Zaire 3) Oise
4) Ado 6) Donner 9) inert
10) Gobi 12) eat

SUDOKU PUZZLE

The aim is to enter a number into each cell so that **any column, or any row, or any block of cells contains all numbers from 1 to 9**

Terry (G4CHD)

| | | | | | | | | |
|----------|----------|----------|----------|----------|----------|----------|----------|----------|
| 3 | | | | | 6 | 7 | 2 | |
| | 6 | 2 | 4 | | | | | 8 |
| 5 | | | 8 | | | | | |
| | | | 6 | 3 | | | | |
| | | | 3 | 7 | | 2 | 6 | |
| | | | | 4 | 1 | | | |
| | | | | | 4 | | | 9 |
| 9 | | | | | 7 | 1 | 8 | |
| | 4 | 5 | 9 | | | | | 2 |

WINTER WORDSEARCH

Many thanks also to Stuart (M1FWD) for the following :-

See if you can find all of the following words in the grid :-

- | | |
|-----------|-----------|
| SNOW | FROZEN |
| SLED | JANUARY |
| ICICLE | ICE |
| BLIZZARD | HIBERNATE |
| HOT | COAT |
| CHOCOLATE | HAT |
| COLD | GLOVES |
| FROSTY | MITTENS |

| | | | | | | | | | | | |
|---|---|---|---|---|---|---|---|---|---|---|---|
| D | E | K | M | K | A | A | J | Y | R | A | G |
| S | N | E | T | T | I | M | S | E | R | I | R |
| X | G | L | O | V | E | S | I | O | E | Z | O |
| T | P | Y | O | N | K | O | D | W | T | D | Y |
| K | H | T | T | W | S | N | H | S | N | L | R |
| D | D | S | A | Q | Z | P | O | T | I | O | V |
| D | D | O | O | T | G | E | T | A | W | C | Y |
| N | M | R | C | L | F | L | C | H | S | Q | S |
| O | E | F | A | G | H | C | H | O | N | B | N |
| S | G | Z | H | Z | H | I | O | P | D | J | O |
| N | L | T | O | S | Z | C | C | P | O | A | W |
| R | G | E | C | R | N | I | O | O | P | N | L |
| W | C | J | D | J | F | E | L | L | C | U | I |
| Z | N | X | Y | C | U | H | A | B | H | A | H |
| H | I | B | E | R | N | A | T | E | Y | R | P |
| F | K | B | O | X | I | C | E | G | U | Y | W |

I only hope that we don't get most of these in the coming winter months!!!

INTERESTING BIRTHDAY PRESENT

I recently got a fascinating birthday present which I thought might be of interest to some of you - the following pictures



hopefully give enough information. I hope to get it built next week and be able to review its performance. As you can see it's a Haynes (of car manual fame) product which basically includes all the parts and plug in board

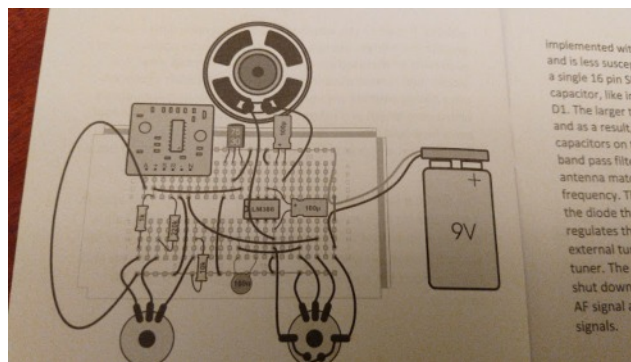
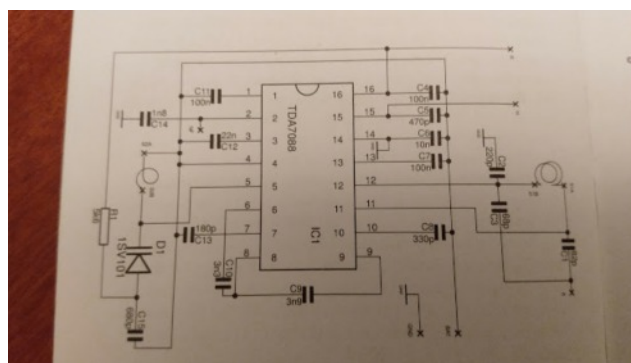
(hence no soldering) to make a vhf Band 2 radio which can be installed into the cardboard box which then acts as a case.

The instruction booklet seems quite comprehensive with explanations of what each component does and ways to test your build as you progress.

Hopefully the results once built will live up to expectations - will let you know!



Terry (G4CHD)



Once again, a Very Happy and Healthy New Year to everyone

Enjoy this month's Newsletter

Terry (G4CHD)

