



FIVE AND NINE PLUS

THE OFFICIAL NEWSLETTER
OF THE
APPLEDORE AND DISTRICT
AMATEUR RADIO CLUB

Club Callsigns: **G2FKO and GX2FKO**
Web Site : www.adarc.co.uk

CLUB'S OFFICERS

President	Terry Adams	G4CHD	
Chairman	John Lovell	G3JKL	
Vice Chairman	Steve Smith	G6SQX	
Secretary	Alan Fisher	M6CCH	01237 422833 Email: fisheralan@gmail.com
Treasurer	Mike Wogden	G4KXQ	
Committee	Graham Bailey	G1ZTJ	
	Dave Cottle	G4XWQ	
	Ray Hunter	M0TLO	
	Keith Luxton	G0AYM	
QSL Manager	John Lovell	G3JKL	
Web Master	John Lovell	G3JKL	
Exam Secretary	John Lovell	G3JKL	
Editor	Terry Adams	G4CHD	

April, 2016

EDITORIAL

Welcome to another issue of the 5&9
This month's Meeting is a talk by John (G3JKL) on QSLing charting the changes that have taken place from traditional paper to modern electronic methods which promises to be a great way to start the new Club year.
Last month's Meeting was the Club AGM and am delighted to welcome Ray (M0TLO) and Keith (G0AYM) onto the Committee. Details of your new Committee can be found in the Meeting Report on the next page.
Your new Committee will be meeting later this month to plan the Club's talks and events for the coming year so anyone who would like to give a talk, please get in touch with a member of the Committee. I know there is a wealth of experience within the Club which members would find most interesting to hear about.
Finally, for those who have not yet rejoined, please remember that Club subscriptions are due.
Enjoy the Newsletter Terry (G4CHD)



CLUB MEETINGS

Meetings are held at the Appledore Football Social Club starting at 7.30pm for 8.00pm. Visitors always welcome. For further information, contact the Secretary, Alan (M6CCH) - details in the top panel.

April 18th	"QSLing - Traditional to the latest methods of confirming a QSO" by John (G3JKL)
May 16th	Natter Night

LOCAL SKEDS

- Zepp Net:** Mon, Tues, Thurs : 145.450 MHz 4pm
Wed **via GB3DN** - 4pm
- 6m Net:** Wednesday, 8pm, **51.480 MHz FM**
- HF Net:** Friday at 3pm **7.145 MHz ± qrm**
- Slow Morse:** Run by **Dave (G3YGJ)** every **Tuesday and Thursday, 7pm clock time on 145.250 mode FM.**
- 70cm Net:** **Sunday, via GB3ND, 11am - noon local time.**
Available on Echolink node 221334

LOCAL REPEATERS

- 70cm Handy Cross Repeater/Echolink (#221334) Gateway (GB3ND)**
User: Listen 433.35MHz - Transmit 434.95MHz
Access 1750Hz Tone (Timeout 4.25 mins)/ 77Hz CTCSS
Repeater keeper is Jeff (G4SOF)
- 2m Stibb Cross Repeater (GB3DN)**
<http://www.g0rql.co.uk/gb3dn.htm>
User: Listen 145.6375MHz - Transmit 145.0375 MHz.
Access 1750 Hz Tone or 77 Hz CTCSS Repeater keeper is Tony (G1BHM).
Yahoo users group for general chat and banter at :-
<http://groups.yahoo.com/group/GB3DN/>

REPORT ON THE MARCH MEETING

CLUB AGM

There was a very good attendance for the AGM which is most encouraging and shows the depth of interest in the future of the Club.

After the election process, the following is the new Committee membership :-



President
Terry (G4CHD)



Chairman
John (G3JKL)



Vice Chairman
Steve (G6SQX)



Secretary
Alan (M6CCH)



Treasurer
Mike (G4KXQ)



Committee
Graham (G1ZTJ)



Committee
Dave (G4XWQ)



Committee
Ray (M0TLO)



Committee
Keith (G0AYM)

A copy of the Club Accounts is included at the end of this Newsletter for the benefit of those members who were unable to attend the Meeting.



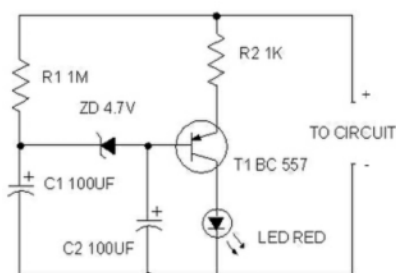
At the AGM, the Club is pleased to announce the recipient of the Jim McFee Cup which is awarded each year to a member who in the opinion of the Committee has unselfishly given a great deal of their time and effort for the good of the Club.

The Club is very lucky in the number of members who do give a great deal to the Club, but it was felt that the most deserving recipient of the Cup this year was Dave (G0PGK). Dave opens up the Clubhouse for each Meeting and without any hesitation, stepped in to take over the coffee facilities. Dave is always there to give a helping hand to put out and put away chairs at Meetings and clearing up before locking up after each Meeting. Unfortunately, Dave was unable to attend the AGM but the presentation will be made at a future Meeting.

Terry (G4CHD)

WHAT IS WRONG WITH THIS CIRCUIT?

The dubious circuit opposite was included in the March 5&9 Newsletter, and I wonder how many members worked out what was wrong and what the implications were.



This circuit was found on the web and the analysis given is as follows :-

This circuit was designed to turn on the LED for a short time when the power is applied. However, although the circuit works, the zener diode is fitted in the wrong direction for the 4.7v characteristic to have any effect and the zener is simply equal to an ordinary diode with a voltage drop of 0.6v.

Consequently, when the circuit turns on, the first 100u electrolytic is charged via the 1k resistor, emitter-base of the transistor and via the zener diode fitted in the wrong direction so that it drops 0.6v. That's why the 100u charges very quickly and the LED comes on at the start.

The 100u stops charging when the voltage reaches about 1.2v from the supply-voltage as this is the total voltage-drop across the two junctions. At this point the transistor is still turned on and now the first 100u gets charged via the 1M and the second 100u gets charged via the 1k and emitter-base of the transistor. This creates an unknown time-delay because the circuit has not been put together as a proper time-delay arrangement.

I wonder how many members agree with the above analysis and would like to hear of any alternative ideas on how this flawed circuit would work in practice.

Terry (G4CHD)

CROSSWORD

This month's Crossword is by Stuart (M1FWD).
The answers will be published in next month's Newsletter. Good luck !

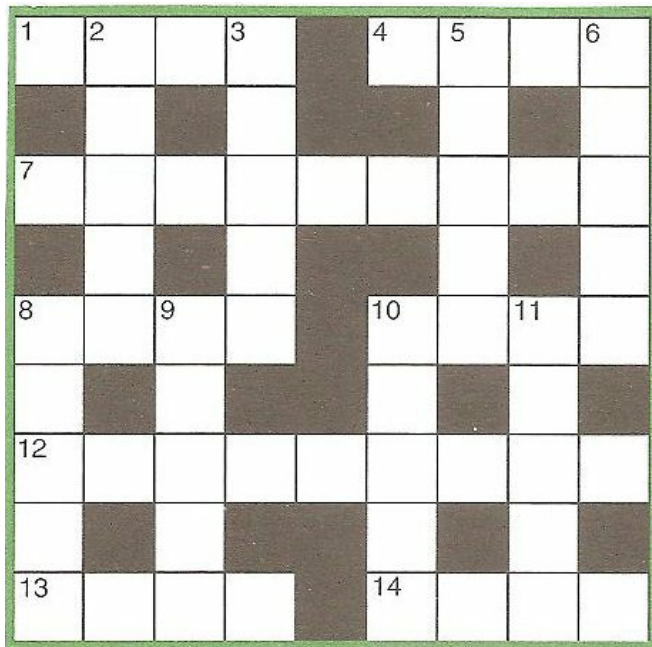


Clues Across

- 1) A leader of prayer in a mosque (4)
- 4) A close-fitting cap worn by nuns under a veil (4)
- 7) The action or process or method of working (9)
- 8) The term midway between the first and last terms of an arithmetical progression (4)
- 10) A vessel for containing electrodes within an electrolyte for current-generation or electrolysis (4)
- 12) Native of Hotel Kilo (HK) land (9)
- 13) Possesses (4)
- 14) The point of the horizon where the sun rises at the equinoxes (4)

Clues Down

- 2) A leaf which is the most widely recognized symbol of Victor Echo (VE) land (5)
- 3) Colloquially, a very stupid or foolish person (5)
- 5) Of or like sheep (5)
- 6) The last 'over' in a QSO (5)
- 8) X-ray, X-ray Nine (XX9) port (5)
- 9) ? Screw, a screw with a hexagonal socket in the head (5)
- 10) An encased group of insulated wires for transmitting electricity or electrical signals (5)
- 11) The amounts of power supplied by a generating system at any given time (5)



Last month's answers :-

Across 1) queue 2) hat 5) ear 6) sends 8) test 10) Ekco
12) India 13) eta 14) bit 15) Maori

Down 1) Quest 3) asdic 4) Yemen 7) attic 9) ennu
11) Omani

SUDOKU PUZZLE

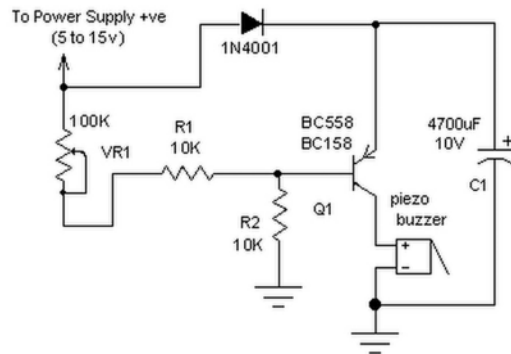
The aim is to enter a number into each cell so that **any column, or any row, or any block of cells contains all numbers from 1 to 9.**

			3					9
		2		4		8	5	
9				7			3	
		7	1					
	5	9				3	8	
					6	1		
	2			5				3
	1	5		6		9		
4					8			

Terry (G4CHD)

CIRCUIT FAULT - PSU FAILURE ALARM

Here's a circuit from the web. Can you spot the mistake?



The circuit is described as working thus -
The circuit employs an electrolytic capacitor to store adequate charge, to feed power to the alarm circuit which sounds an alarm for a reasonable duration when the supply fails and can be used with power supplies in the range of 5V to 15V. To calibrate the circuit, first connect the power supply then vary the potentiometer VR1 until the buzzer goes OFF. Whenever the supply fails, resistor R2 pulls the base of transistor low and saturates it, turning the buzzer ON.

However, the circuit doesn't appear to work - can you spot why?

So that's it for this month - I hope everyone enjoys the read

Terry (G4CHD)

**Appledore & District Amateur Radio Club Accounts
Year End 3 March 2016**

Receipts Summary	2014/15	2015/16	Payments Summary (£)	2014/15	2015/16
Christmas Social	£58.81	£60.50	RSGB Subs	£47.00	£47.00
Members Donations	£12.00	£7.00	Club House Rent	£240.00	£240.00
Bank Interest	£0.48	£0.48	Glass Tankard	£20.00	£0.00
Annual Subscriptions	£468.00	£520.00	Club Insurance	£141.53	£149.00
Equipment Donations/Sales	£65.00	£49.00	Donations to RNLI	£20.00	£0.00
Total Receipts	£604.29	£636.98	Total Payments	£468.53	£436.00
Lloyds Treasurers Current A/C	b/f £785.27	£934.05		c/f £934.05	£1165.65
Lloyds Business A/C	b/f £945.84	£946.32		c/f £946.32	£946.80
Cash	b/f £57.36	£43.86		c/f £43.86	£12.76
Totals	b/f £1788.47	£1924.23	Totals	c/f £1924.23	£2125.21

